



# TerraMAX<sup>®</sup> TCM SERIES MINING MOTORS

TerraMax TCM Series is low voltage motor product series designed to meet the demands of mining applications while delivering IE3 premium efficiency in the true sense of the word. The mining motor inherits the commitment of performance, quality and long lasting reliability of the global TerraMAX platform and at the same time presents a tough and robust feature set to cater to the demanding application requirements of the mining industry.

## SPECIFICATIONS

- Output: 0.75kW to 900kW
- Pole: 2 to 8 pole
- Frame: IEC 80-450
- Power supply: Designed for any voltage supply between 200V to 690V and frequency 50 or 60Hz
- Construction: Cast iron with integrally cast feet
- Terminal box: Cast iron with metric cable entry
- Connection: ≤ 3kW: Star connection, >3kW: Delta connection
- Protection: IP66
- Insulation: Class H with class B temperature rise
- Bearings: Shielded bearing for IEC 80-112
- Mounting: All standard mountings B3, B5, B35, V1 (B14 and B34 for IEC 80-132)

## OPTIONAL ACCESSORIES

Space heaters, RTD, BTD, cable glands, brakes, encoders, insulated NDE, AEGIS ring, forced ventilation, and canopy for V1 mounting.

## APPLICATIONS

- Conveyors
- Slurry pumps
- Mills
- Screens
- Ventilation fans



**CERTIFICATIONS (ON REQUEST)**



# PERFORMANCE DATA

Model No.	Frame	Rated (kW)	50 Hz Supply											Moment of Inertia (kgm <sup>2</sup> )	Weight (kg)
			Speed (RPM)	Full Load Amp			Power factor	Efficiency			Starting Current (I <sub>LR</sub> /I <sub>RATED</sub> )	Starting Torque (T <sub>LR</sub> /T <sub>RATED</sub> )	Breakdown Torque (T <sub>BD</sub> /T <sub>RATED</sub> )		
				380V	400V	415V		100%	75%	50%					
<b>2 POLE MOTORS</b>															
TCMP751A....GAC011	80M	0.75	2880	1.7	1.6	1.6	0.83	80.7	80.7	75.6	6.5	3.0	3.3	0.0013	19
TCM1P11A....GAC011	80M	1.1	2878	2.4	2.3	2.2	0.84	82.7	82.7	79.3	6.8	3.2	3.3	0.0016	20
TCM1P51A....GAC011	90S	1.5	2888	3.2	3.0	2.9	0.85	84.2	84.2	81.8	7.5	3.5	3.5	0.0021	25
TCM2P21A....GAC011	90L	2.2	2889	4.4	4.2	4.0	0.88	85.9	85.9	84.7	8.1	3.8	3.6	0.0029	28
TCM0031A....GAC011	100L	3	2889	5.8	5.5	5.3	0.90	87.1	87.1	86.6	7.9	3.2	3.6	0.0042	38
TCM0041A....GAC011	112M	4	2921	7.7	7.3	7.0	0.90	88.1	88.1	88.1	8.6	2.7	3.7	0.0101	47
TCM5P51A....GAC011	132S	5.5	2936	10.5	10.0	9.6	0.89	89.2	89.2	87.7	7.7	2.4	3.6	0.0184	76
TCM7P51A....GAC011	132S	7.5	2934	14.1	13.4	12.9	0.90	90.1	90.1	89.3	7.8	2.6	3.6	0.0214	82
TCM0111A....GAC011	160M	11	2955	20.6	19.6	18.9	0.89	91.2	91.2	89.7	7.9	2.3	3.7	0.0626	136
TCM0151A....GAC011	160M	15	2956	27.9	26.5	25.5	0.89	91.9	91.9	90.9	8.4	2.6	3.9	0.0754	150
TCM18P1A....GAC011	160L	18.5	2953	33.4	31.8	30.6	0.91	92.4	92.4	91.9	8.1	2.6	3.6	0.0928	174
TCM0221A....GAC011	180M	22	2961	41.4	39.4	38.0	0.87	92.7	92.7	91.3	7.4	2.2	3.6	0.1399	209
TCM0301A....GAC011	200L	30	2973	57.5	54.6	52.6	0.85	93.3	93.3	91.6	7.4	2.1	3.7	0.243	269
TCM0371A....GAC011	200L	37	2974	69.8	66.3	63.9	0.86	93.7	93.7	92.5	7.8	2.4	3.8	0.2934	300
TCM0451A....GAC011	225M	45	2978	83.6	79.4	76.6	0.87	94.0	94.0	92.7	8.0	2.2	3.9	0.4264	404
TCM0551A....GAC011	250M	55	2977	99.6	94.6	91.2	0.89	94.3	94.3	93.0	7.0	1.9	3.4	0.6214	495
TCM0751A....GAC011	280S	75	2983	137	130	125	0.88	94.7	94.7	93.2	7.9	2.1	3.8	1.0793	677
TCM0901A....GAC011	280M	90	2982	162	154	148	0.89	95.0	95.0	93.9	7.6	2.1	3.6	1.1811	732
TCM1101A....GAC011	315S	110	2983	199	190	183	0.88	95.2	95.2	92.7	7.2	2.0	3.6	2.2274	986
TCM1321A....GAC011	315M	132	2984	236	224	216	0.89	95.4	95.4	93.3	7.4	2.2	3.7	2.4236	1037
TCM1601A....GAC011	315L	160	2983	286	271	262	0.89	95.6	95.6	94.0	7.3	2.2	3.6	2.7640	1164
TCM2001A....GAC011	315L	200	2984	356	339	326	0.89	95.8	95.8	94.6	7.3	2.3	3.6	3.0911	1245
TCM2501A....GAC011	355M	250	2983	441	419	403	0.90	95.8	95.8	94.2	6.9	2.0	3.3	4.0729	1737
TCM3151A....GAC011	355L	315	2984	555	527	508	0.90	95.8	95.8	94.9	7.0	2.1	3.3	4.7428	1878
TCM3551A....GAC011	355L	355	2987	633	601	579	0.89	95.8	95.8	95.0	8.6	2.8	4.0	5.7956	2107
TCM3751A....GAC011	355L	375	2986	661	628	605	0.90	95.8	95.8	95.2	8.1	2.6	3.7	5.7956	2107
TCM4501A....GAC011	400S	450	2988	802	762	734	0.89	95.8	95.8	95.3	7.7	2.3	3.7	10.300	3400
TCM5001A....GAC011	400X	500	2988	880	836	806	0.90	95.9	95.9	95.5	7.5	2.2	3.6	11.100	3550
TCM5601A....GAC011	400X	560	2987	984	935	901	0.90	96.1	96.1	95.7	7.5	2.2	3.6	11.700	3680
<b>4 POLE MOTORS</b>															
TCMP752A....GAC011	80M	0.75	1446	1.8	1.7	1.7	0.75	82.5	82.5	77.6	6.6	3.0	3.0	0.0031	22
TCM1P12A....GAC011	90S	1.1	1450	2.6	2.5	2.4	0.77	84.1	84.1	79.1	6.8	2.9	3.4	0.0045	25
TCM1P52A....GAC011	90L	1.5	1448	3.5	3.3	3.2	0.77	85.3	85.3	80.3	7.0	3.0	3.4	0.0052	26
TCM2P22A....GAC011	100L	2.2	1456	4.6	4.4	4.2	0.84	86.7	86.7	85.1	7.0	2.3	2.9	0.0115	39
TCM0032A....GAC011	100L	3	1458	6.2	5.9	5.7	0.84	87.7	87.7	86.2	7.7	2.6	3.1	0.0145	44
TCM0042A....GAC011	112M	4	1457	8.3	7.9	7.6	0.83	88.6	88.6	88.1	8.4	3.2	3.6	0.0192	55
TCM5P52A....GAC011	132S	5.5	1468	11.1	10.5	10.2	0.84	89.6	89.6	89.7	6.7	2.3	2.7	0.0446	84
TCM7P52A....GAC011	132M	7.5	1470	15.2	14.4	13.9	0.83	90.4	90.4	90.4	7.5	2.8	3.0	0.0550	94
TCM0112A....GAC011	160M	11	1475	21.8	20.7	19.9	0.84	91.4	91.4	90.6	7.3	2.5	3.3	0.1200	148
TCM0152A....GAC011	160L	15	1476	29.1	27.7	26.7	0.85	92.1	92.1	91.6	7.6	2.7	3.4	0.1597	180
TCM18P2A....GAC011	180M	18.5	1477	36.6	34.7	33.5	0.83	92.6	92.6	92.2	7.3	2.5	3.3	0.2209	220
TCM0222A....GAC011	180L	22	1478	43.8	41.6	40.1	0.82	93.0	93.0	92.5	7.5	2.7	3.5	0.2415	240
TCM0302A....GAC011	200L	30	1479	57.3	54.4	52.5	0.85	93.6	93.6	93.6	6.6	2.2	2.9	0.4488	274
TCM0372A....GAC011	225S	37	1484	70.4	66.9	64.5	0.85	93.9	93.9	94.0	7.3	2.4	3.1	0.6683	385
TCM0452A....GAC011	225M	45	1483	85.4	81.1	78.2	0.85	94.2	94.2	94.2	7.2	2.4	3.0	0.713	399
TCM0552A....GAC011	250M	55	1487	103	97.6	94.1	0.86	94.6	94.6	94.0	7.2	2.2	3.4	1.3974	541
TCM0752A....GAC011	280S	75	1489	138	131	126	0.87	95.0	95.0	94.0	6.4	2.3	2.7	2.2302	721
TCM0902A....GAC011	280M	90	1489	165	157	151	0.87	95.2	95.2	94.5	6.4	2.4	2.7	2.3841	764
TCM1102A....GAC011	315S	110	1487	199	189	182	0.88	95.4	95.4	95.0	6.5	1.9	2.9	3.4482	973
TCM1322A....GAC011	315M	132	1488	238	226	218	0.88	95.6	95.6	95.2	6.8	2.1	3.0	3.7582	1028
TCM1602A....GAC011	315L	160	1488	288	274	264	0.88	95.8	95.8	95.6	6.9	2.2	3.1	4.4423	1171
TCM2002A....GAC011	315L	200	1488	356	338	326	0.89	96.0	96.0	95.8	6.9	2.2	3.0	5.0623	1261
TCM2502A....GAC011	355M	250	1490	445	422	407	0.89	96.0	96.0	95.8	6.5	1.9	2.5	8.4434	1764
TCM3152A....GAC011	355L	315	1489	554	526	507	0.90	96.0	96.0	96.2	6.2	1.8	2.3	10.176	1936
TCM3552A....GAC011	355L	355	1490	624	593	572	0.90	96.0	96.0	96.2	6.9	2.1	2.5	10.945	2002
TCM3752A....GAC011	355L	375	1490	659	626	604	0.90	96.0	96.0	96.3	6.6	2.1	2.4	11.138	2028
TCM5002A....GAC011	400S	500	1492	879	835	805	0.90	96.0	96.0	95.7	6.5	1.8	2.7	21.900	3600
TCM5602A....GAC011	400X	560	1492	984	935	901	0.90	96.1	96.1	95.9	6.8	1.9	2.8	24.400	3830
TCM6302A....GAC011	400X	630	1492	1106	1050	1012	0.90	96.2	96.2	96.0	6.8	1.9	2.8	25.800	3960

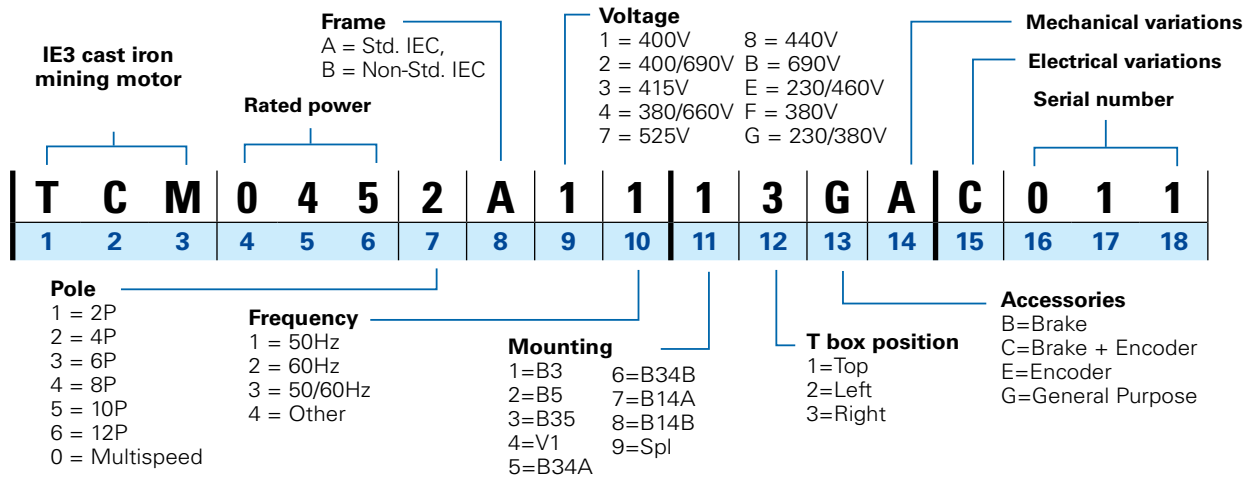
# PERFORMANCE DATA

Model No.	Frame	Rated (kW)	Speed (RPM)	Full Load Amp			Power factor	Efficiency			Starting Current (I <sub>LR</sub> /I <sub>RATED</sub> )	Starting Torque (T <sub>LR</sub> /T <sub>RATED</sub> )	Breakdown Torque (T <sub>BD</sub> /T <sub>RATED</sub> )	Moment of Inertia (kgm <sup>2</sup> )	Weight (kg)
				380V	400V	415V		100%	75%	50%					
<b>6 POLE MOTORS</b>															
TCMP753A...GAC011	90S	0.75	946	2.3	2.1	2.1	0.64	78.9	78.9	71.1	4.8	3.0	3.1	0.0036	25
TCM1P13A...GAC011	90L	1.1	941	3.1	3.0	2.9	0.66	81.0	81.0	74.8	4.8	3.0	3.0	0.0046	27
TCM1P53A...GAC011	100L	1.5	966	3.7	3.5	3.4	0.74	82.5	82.5	77.8	5.9	2.2	2.7	0.0143	36
TCM2P23A...GAC011	112M	2.2	958	5.4	5.2	5.0	0.73	84.3	84.3	82.4	5.9	2.5	2.8	0.0158	47
TCM0033A...GAC011	132S	3	973	7.5	7.1	6.9	0.71	85.6	85.6	84.3	5.5	2.0	2.6	0.0390	68
TCM0043A...GAC011	132M	4	973	9.5	9.0	8.7	0.74	86.8	86.8	85.9	5.6	2.1	2.6	0.0494	75
TCM5P53A...GAC011	132M	5.5	973	12.5	11.9	11.4	0.76	88.0	88.0	88.0	5.9	2.2	2.6	0.0660	86
TCM7P53A...GAC011	160M	7.5	976	16.0	15.2	14.6	0.80	89.1	89.1	88.7	5.3	1.8	2.4	0.1355	137
TCM0113A...GAC011	160L	11	977	23.4	22.3	21.5	0.79	90.3	90.3	89.6	5.6	2.0	2.6	0.1811	164
TCM0153A...GAC011	180L	15	982	32.0	30.4	29.3	0.78	91.2	91.2	90.7	6.1	2.1	2.7	0.3035	224
TCM18P3A...GAC011	200L	18.5	984	38.3	36.4	35.1	0.80	91.7	91.7	91.6	5.8	2.0	2.4	0.5179	259
TCM0223A...GAC011	200L	22	984	45.3	43.1	41.5	0.80	92.2	92.2	92.1	6.0	2.1	2.5	0.607	280
TCM0303A...GAC011	225M	30	987	59.1	56.2	54.1	0.83	92.9	92.9	91.9	6.8	2.2	2.9	0.9206	381
TCM0373A...GAC011	250M	37	987	73.5	69.8	67.3	0.82	93.3	93.3	92.8	6.8	2.4	2.9	1.6082	494
TCM0453A...GAC011	280S	45	989	90.1	85.6	82.5	0.81	93.7	93.7	92.9	6.1	1.9	2.6	2.2380	600
TCM0553A...GAC011	280M	55	989	107	102	98.0	0.83	94.1	94.1	93.7	6.2	1.9	2.5	2.6734	624
TCM0753A...GAC011	315S	75	989	149	141	136	0.81	94.6	94.6	94.4	5.1	1.6	2.2	3.3734	831
TCM0903A...GAC011	315M	90	990	176	167	161	0.82	94.9	94.9	94.7	5.2	1.7	2.2	3.9282	898
TCM1103A...GAC011	315L	110	990	214	204	196	0.82	95.1	95.1	95.0	5.4	1.8	2.2	4.7728	1025
TCM1323A...GAC011	315L	132	990	253	241	232	0.83	95.4	95.4	95.2	5.4	1.9	2.2	5.4662	1097
TCM1603A...GAC011	355M	160	991	303	288	277	0.84	95.6	95.6	95.6	6.1	1.9	2.5	8.5699	1637
TCM2003A...GAC011	355M	200	991	373	355	342	0.85	95.8	95.8	95.9	6.0	1.9	2.5	9.9148	1756
TCM2503A...GAC011	355L	250	991	466	443	427	0.85	95.8	95.8	95.9	6.1	2.0	2.5	11.708	1911
TCM3553A...GAC011	400S	355	994	653	621	598	0.86	96.0	96.0	95.9	7.5	2.1	2.6	28.200	3300
TCM4003A...GAC011	400S	400	994	736	699	674	0.86	96.0	96.0	95.9	7.3	2.0	2.5	31.100	3470
TCM4503A...GAC011	400X	450	994	818	777	749	0.87	96.1	96.1	96.0	7.3	2.0	2.5	34.400	3620
TCM5003A...GAC011	400X	500	994	909	863	832	0.87	96.1	96.1	96.0	7.2	1.9	2.4	37.800	3750
TCM6303A...GAC011	450X	630	995	1146	1089	1049	0.87	96.0	96.0	95.8	7.2	2.0	2.5	66.700	4900
<b>8 POLE MOTORS</b>															
TCM0754A...GAC011	100L	0.75	723	2.3	2.2	2.1	0.66	75.0	75.0	69.5	4.8	1.8	2.7	0.0149	36
TCM1P14A...GAC011	100L	1.1	721	3.2	3.0	2.9	0.67	77.7	77.7	72.9	4.8	1.9	2.7	0.0172	39
TCM1P54A...GAC011	112M	1.5	715	4.2	4.0	3.9	0.68	79.7	79.7	77.8	4.7	1.9	2.4	0.0200	53
TCM2P24A...GAC011	132S	2.2	723	5.8	5.5	5.3	0.70	81.9	81.9	81.3	4.4	1.8	2.3	0.0453	71
TCM0034A...GAC011	132M	3	724	7.9	7.5	7.2	0.69	83.5	83.5	82.9	4.7	2.0	2.5	0.0577	80
TCM0044A...GAC011	160M	4	730	10.4	9.9	9.5	0.69	84.8	84.8	85.5	5.3	1.8	2.4	0.1312	135
TCM5P54A...GAC011	160M	5.5	729	13.5	12.8	12.3	0.72	86.2	86.2	87.0	5.3	1.7	2.3	0.1674	151
TCM7P54A...GAC011	160L	7.5	728	18.1	17.2	16.6	0.72	87.3	87.3	87.8	5.4	1.8	2.3	0.2040	175
TCM0114A...GAC011	180L	11	730	25.8	24.5	23.7	0.73	88.6	88.6	89.5	6.5	1.8	3.0	0.3337	232
TCM0154A...GAC011	200L	15	739	35.8	34.0	32.8	0.71	89.6	89.6	89.0	5.5	2.0	2.6	0.7327	315
TCM18P4A...GAC011	225S	18.5	738	40.5	38.5	37.1	0.77	90.1	90.1	90.5	5.2	1.7	2.3	0.8781	376
TCM0224A...GAC011	225M	22	738	47.3	44.9	43.3	0.78	90.6	90.6	91.1	5.2	1.7	2.3	1.0453	379
TCM0304A...GAC011	250M	30	739	63.2	60.0	57.9	0.79	91.3	91.3	92.8	5.3	1.9	2.3	2.1617	571
TCM0374A...GAC011	280S	37	742	78.5	74.6	71.9	0.78	91.8	91.8	92.0	6.0	2.1	2.4	3.2584	728
TCM0454A...GAC011	280M	45	742	96.3	91.5	88.2	0.77	92.2	92.2	92.6	5.9	2.1	2.4	3.5326	777
TCM0554A...GAC011	315S	55	742	125	119	115	0.72	92.5	92.5	91.4	4.7	1.8	2.1	3.7895	898
TCM0754A...GAC011	315S	75	743	168	159	154	0.73	93.1	93.1	92.1	4.8	1.9	2.1	4.8296	909
TCM0904A...GAC011	315S	90	743	201	191	184	0.73	93.4	93.4	92.6	4.9	1.9	2.1	5.6618	925
TCM1104A...GAC011	355M	110	743	220	209	202	0.81	93.7	93.7	94.2	6.0	1.5	2.5	7.8323	1566
TCM1324A...GAC011	355M	132	742	260	247	238	0.82	94.0	94.0	94.5	6.0	1.5	2.4	8.9257	1659
TCM1504A...GAC011	355M	150	742	295	280	270	0.82	94.2	94.2	94.7	6.0	1.5	2.4	9.9098	1752
TCM1604A...GAC011	355M	160	742	314	299	288	0.82	94.3	94.3	94.8	6.2	1.6	2.5	10.566	1808
TCM2004A...GAC011	355L	200	742	387	368	354	0.83	94.6	94.6	95.0	6.3	1.7	2.5	13.190	2034
TCM2804A...GAC011	400S	280	745	546	519	500	0.82	95.0	95.0	94.7	6.2	1.7	2.2	32.600	3270
TCM3154A...GAC011	400S	315	745	614	583	562	0.82	95.1	95.1	94.8	6.3	1.8	2.3	36.500	3450
TCM3554A...GAC011	400X	355	745	692	657	634	0.82	95.1	95.1	94.8	6.3	1.8	2.3	40.400	3710



## PART NUMBER LOGIC

Marathon® TerraMAX® TCM series standard product configuration confirms to IEC frame. Product code specified as per below.



For additional details, please contact our technical support team.

**marathon®**  
Motors

### AUSTRALIA

Regal Beloit Australia Pty Ltd  
19 Corporate Ave (PO Box 2340)  
Rowville Victoria Australia 3178  
T: +61 3 9237 4040  
salesAUvic@regalbeloit.com

### BRASIL

Regal Beloit do Brasil Ltda.  
Trav. Vitor Emanuel, 2889 Caxias do Sul  
Rio Grande do Sul Brasil 95047-610  
T: +55 54 3224 9600  
vendas.brasil@regalbeloit.com

### CHINA

Regal Beloit (Wuxi) Co., Ltd  
6 Xiangge Rd Hudai Town  
Wuxi China  
T: +86 510 81831600  
market.wuxi@regalbeloit.com

### COLOMBIA

Empresa Regal de Colombia S.A.S.  
Centro Empresarial Metropolitano km.  
3.4 Bodega 6 Modulo 1 Siberia Cota  
Central Savanna Colombia  
T: +571 7469 550  
contacto@regalbeloit.com

### FRANCE

Regal Beloit France SAS  
14 rue des Cours Neuves Pontcarré  
Île-de-France France  
T: +33 (0) 164668736  
cemp-france@cemp.eu

### GERMANY

Cemp International GmbH  
Dr. Atzinger- Strasse 5  
Passau Bavaria Germany  
T: +49 (0) 8519662320  
cemp-deutschland@cemp.eu

### INDIA

Marathon Electric Motors (India) Limited  
01 Taratala Road Kolkata - 700024  
Bengal India  
T: +91 33 4403 0400  
memi.mktg@marathonelectric.com

### ITALY

Cemp s.r.l.  
Via Piemonte 16 Senago Milano Italy  
T: +39 029443540 1  
cemp@regalbeloit.com

### NETHERLANDS

Rotor B.V.  
Mors 1, 7151 MX Eibergen  
Netherlands  
T: +31 545 464 600  
Sales.nl@regalbeloit.com

### SINGAPORE, MALAYSIA

Regal-Beloit Asia Pte. Ltd.  
12 Tuas Loop Singapore, 637346  
Singapore Malaysia  
T: +65 6863 3473  
salesSG@regalbeloit.com

### MEXICO

Regal Beloit de Mexico, S. de R.L. de C.V.  
Av. Luis G. Fernandez T. 2108 Finsa 1  
Santa Catarina Nuevo Leon Mexico 66350  
T: 01 800 84 73425  
contacto@regalbeloit.com

### NEW ZEALAND

Regal Beloit New Zealand Limited  
18 Jomac Place Avondale  
Auckland New Zealand  
T: +64 9 830 3550  
salesNZnth@regalbeloit.com

### SOUTH AFRICA

Regal Beloit South Africa (Pty) Ltd  
268B Fleming Rd Meadowdale Germiston  
Gauteng South Africa  
T: +27 11 453 1930  
SalesZAJhb@regalbeloit.com

### UNITED ARAB EMIRATES

Regal Beloit FZE  
1810, JAFZA ONE Jebel Ali Free Zone  
Dubai United Arab Emirates  
T: +971 48812666

### UNITED KINGDOM

RML UK Ltd  
Marshall Way Gainsborough Lincolnshire  
United Kingdom DN21 1XU  
T: +44 (0) 1427 614141  
sales.europe@regalbeloit.com

### APPLICATION CONSIDERATIONS

The proper selection and application of motors and components, including the related area of product safety, is the responsibility of the customer. Operating and performance requirements and potential associated issues will vary appreciably depending upon the use and application of such products and components. The scope of the technical and application information included in this publication is necessarily limited. Unusual operating environments and conditions, lubrication requirements, loading supports, and other factors can materially affect the application and operating results of the products and components and the customer should carefully review its requirements. Any technical advice or review furnished by Regal Beloit Corporation and its affiliates with respect to the use of products and components is given in good faith and without charge, and Regal assumes no obligation or liability for the advice given, or results obtained, all such advice and review being given and accepted at customer's risk.

For a copy of our Standard Terms and Conditions of Sale, please visit <http://www.regalbeloit.com> (please see link at bottom of page to "Standard Terms and Conditions of Sale"). These terms and conditions of sale, disclaimers and limitations of liability apply to any person who may buy, acquire or use a Regal product referred to herein, including any person who buys from a licensed distributor of these branded products.

UL, CSA, CCC, BIS, CE are trademarks and/or trade names of their respective owner/s and are not owned or controlled by Regal Beloit Corporation.

Regal, Marathon and TerraMAX are trademarks of Regal Beloit Corporation or one of its affiliated companies.

©2019 Regal Beloit Corporation. All Rights Reserved. MCSSP19033E • Form# SB0223E

